

RJ45 Connector, magnetics

SRJ110001THU051M

Description

The SRJ110010THD051M is a RJ45 connector with 10/100 Base-T and integrated magnetics.

The connector is designed to support application such as SOHO (ADSL modems), LAN-on-Motherboards(LOM), Hub and Switches.



Typical applications

- Ethernet
- Network Switch
- Network Hub
- Modems



Features

Mechanical Properties

Description

Speed	10/100 Base-T
Number of ports	Single
Latch	Up
Pin type	THT
Application-Lan	Ethernet (NoN PoE)
Led	Included, 2 pcs
Color	Yellow, Green
Contact material	Copper Alloy
Shield material	Copper Alloy
Shield Plating:	Nickel
Contact Plating:	Gold 6 Micro-Inches Min.
Operating Temperature:	-40°C~+85°C
Wave Peak Soldering:	+265°C Max. 5 sec Max.
Dimensions:	25.4 x 16.25 x 13.5 mm ± 0.1

RJ45 Connector, magnetics

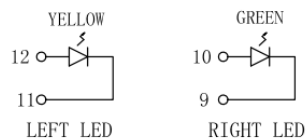
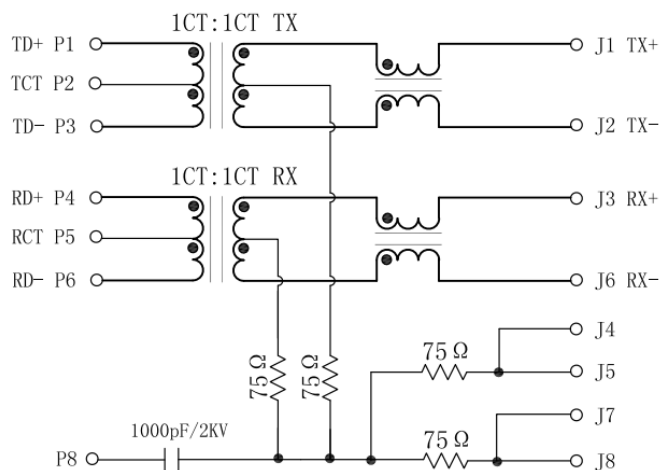
SRJ110001THU051M

Electrical Properties

Description

Turn Ratio ($\pm 2\%$):	1CT : 1CT
Inductance OCL:	@100KHz , 0.1V 8mA DC Bias 350uH Min.
Insertion Loss:	-1.0dB Max. @1 - 65MHz
Return Loss:	-20dB Min. @1-10MHz -16dB Min. @10-30MHz -12dB Min. @30-60MHz -10dB Min. @60-100MHz
Cross Talk:	-40dB Min. @1-30MHz -35dB Min. @30-60MHz -30dB Min. @60-100MHz
Common Mode Rejection:	-30dB Min. @1-50MHz -20dB Min. @50-150MHz
Hipot Test:	1500Vrms

Electrical



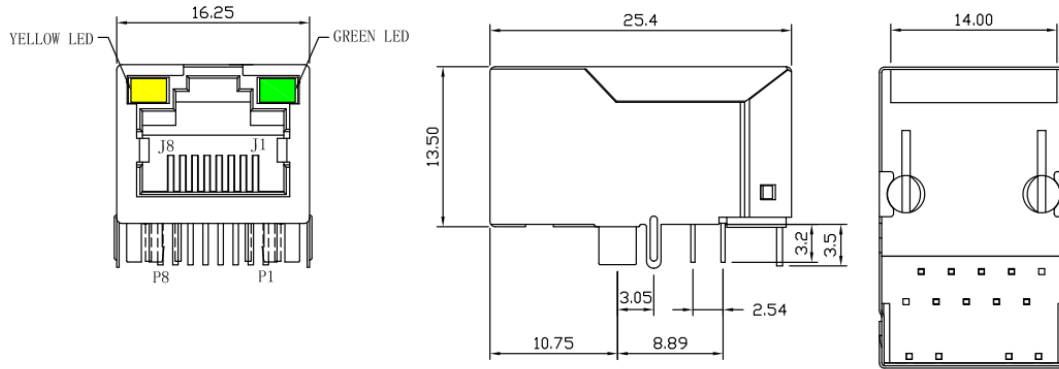
Emitting Color	λ p(nm)	VF@IF=20mA	IR @VR=5V
Green	570	1.8~2.6V	10 μ A max
Yellow	585	1.8~2.6V	10 μ A max

RJ45 Connector, magnetics

SRJ110001THU051M

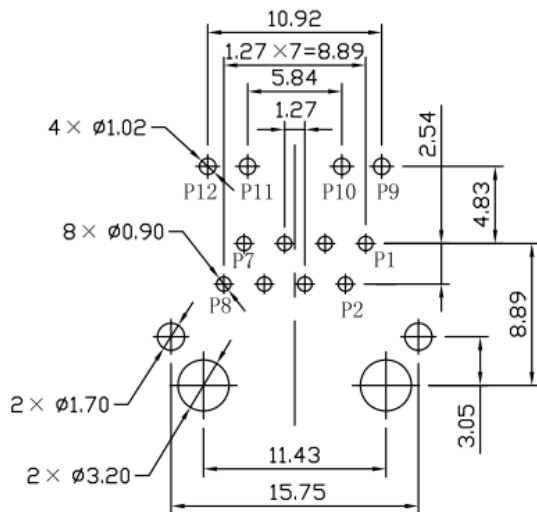
Dimensions

*unit: mm



PCB Footprint

*unit: mm



Ordering information

Ordering can be done via www.summit-electronics.com or via info@summit-electronics.com. Please contact us for more information. Customisation of the product is available on request.

Technical support

For all product questions please contact us via info@summit-electronics.com

Document revision

Rev	Date	changes
V01.00	27-06-2023	First issue of document, EK